

# INSTALLATION INSTRUCTIONS

## 689-LED Pendant

PD-68909

dweLED  
by WAC Lighting

**CAUTION: To prevent electrical shock, ensure electricity has been turned off at the circuit breaker before beginning.**

- Read all instructions before installing.
- System is intended for installation by a licensed electrician in accordance with the National Electrical Code (NEC) and local regulations.
- When handling the fixture, do not apply pressure to the LEDs. Hold the fixture by the base only.
- Retain installation instructions for future maintenance reference.

**WARNING:** All parts must be used as indicated in these instructions. This product is designed for use only with the supplied parts and/or accessories designated for use by WAC Lighting/dweLED/Modern Forms. Substitution of parts or accessories not designated for use with this product by WAC Lighting/dweLED/Modern Forms could result in personal injury or property damage, and will void the warranty. Contact an authorized dealer or the manufacturer if any parts are damaged or missing.

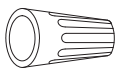
**MISE EN GARDE: Pour éviter tout choc électrique, assurez-vous que le disjoncteur soit mis hors tension avant de commencer.**

- Lisez toutes les instructions avant l'installation.
- Le système doit être installé par un électricien licencié conformément au code national de l'électricité (NEC), et également aux règlements locaux.
- Lors de la manipulation du luminaire, n'appuyez pas sur les LED. Tenez-le uniquement par la base.

**ATTENTION:** Toutes les pièces doivent être utilisées comme indiqué dans ces instructions. Ce produit est conçu pour être utilisé seulement avec les pièces et/ou accessoires fournis pour être utilisés avec les produits WAC Lighting/dweLED/Modern Forms. Remplacer des pièces ou accessoires non conçus pour ce produit WAC Lighting/dweLED/Modern Forms pourrait causer des dommages corporels ou matériels et pourrait également causer l'annulation de la garantie. Veuillez contacter un revendeur autorisé ou le fabricant si des pièces manquent ou sont endommagées.

### HARDWARE

A



Wire Connector  
Qty: 3pcs+1 Extra

B



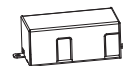
Mounting Screw  
Qty: 1 Extra

C



Wire Connector  
Qty: 2+1 Extra

D



Driver  
Qty: 1

dweLED.com  
Phone (800) 526.2588  
Fax (800) 526.2585

Headquarters/Eastern Distribution Center  
44 Harbor Park Drive  
Port Washington, NY 11050

Central Distribution Center  
1600 Distribution Ct  
Lithia Springs, GA 30122

Western Distribution Center  
1750 Archibald Avenue  
Ontario, CA 91760

# INSTALLATION INSTRUCTIONS

## 689-LED Pendant

PD-68909

dweLED  
by WAC Lighting

### PREPARATION

1. Shut off the power at the circuit breaker and remove existing fixture, including the crossbar.
2. Carefully unpack your new fixture and lay out all the parts on a clear area. Be careful not to lose any small parts necessary for installation.

### MOUNTING THE FIXTURE (Fig.1)

3. Place the bottom glass into the lamp body, securing the glass by clockwise rotation, and secure the stop screw on the lamp body with a screwdriver.
4. Place the top glass into the lamp body, securing the glass by counter-clockwise rotation.

### CONNECTING THE WIRES (Fig.2、 3)

5. Remove the mounting screw (B) from the fixture.
6. Adjust the fixture wire length by pushing the cable-gripper on the canopy and pulling the wire as desired.
  - a. Retract the wires close to the desired length within the canopy before securing the fixture in place.

**CAUTION:** Shortening the cables without professional help or electronic background is not advisable. Any modifications to the fixture may result in voiding the warranty of the product.

**NOTE:** Retracting or extending excessive cable length through the cable gripper is not recommended.

7. Connect the driver (D) input/output wires with junction box wires as shown (Fig.2). Make sure that all wire connectors (A) (C) are secure. If your outlet box has a green or bare copper ground wire, connect the fixture's ground wire to it. Otherwise, connect the fixture's ground wire directly to the mounting plate using the green screw provided. After wires are connected, tuck them carefully inside the junction box.

**NOTE:** This fixture requires the driver to be recessed within the junction box. The hole mounting extensions on the driver are trimmable/foldable for tighter junction box fitment.

### COMPLETING THE INSTALLATION (Fig. 1)

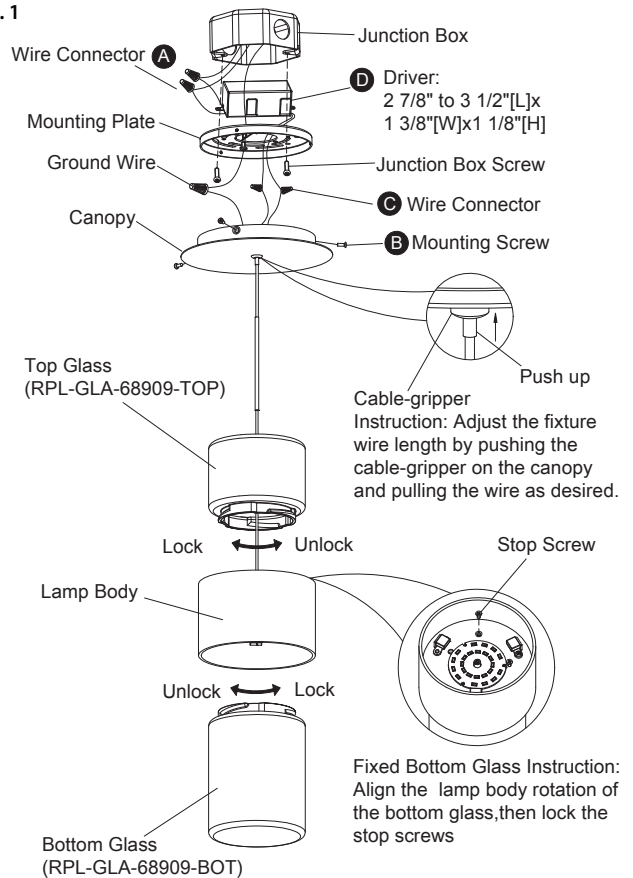
8. Secure mounting plate to the junction box using the screws provided with the junction box.

**NOTE:** The side of the mounting plate marked "GND" must face out.

9. Place the fixture over the mounting plate and secure with mounting screws (B).

10. Make final adjustments to the desired cable length.

Fig. 1



### Back Plate Dimensions

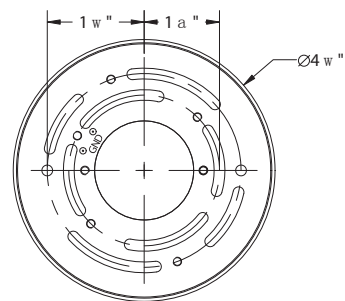
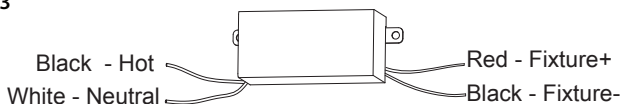


Fig. 2 Wiring

Fixture Wires Black or Smooth	House Wires Black (Hot)
Fixture Wires White or Ribbed	House Wires White (Neutral)
Fixture Wires Bare wire (Ground)	House Wires Green or Bare Copper (Ground)

Fig. 3



dweLED.com  
Phone (800) 526.2588  
Fax (800) 526.2585

Headquarters/Eastern Distribution Center  
44 Harbor Park Drive  
Port Washington, NY 11050

Central Distribution Center  
1600 Distribution Ct  
Lithia Springs, GA 30122

Western Distribution Center  
1750 Archibald Avenue  
Ontario, CA 91760